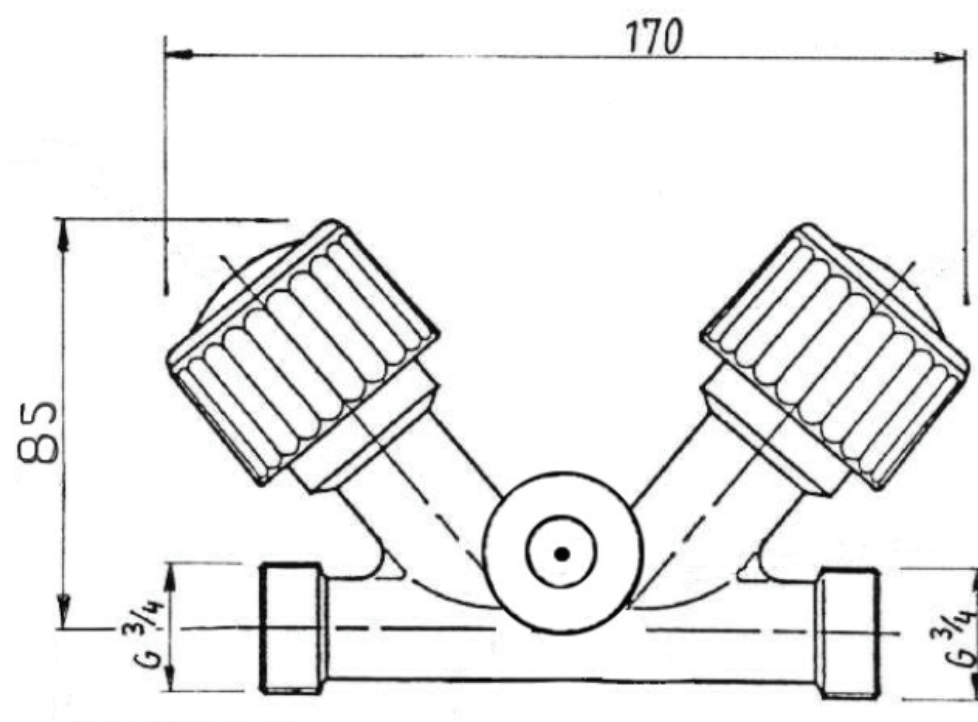
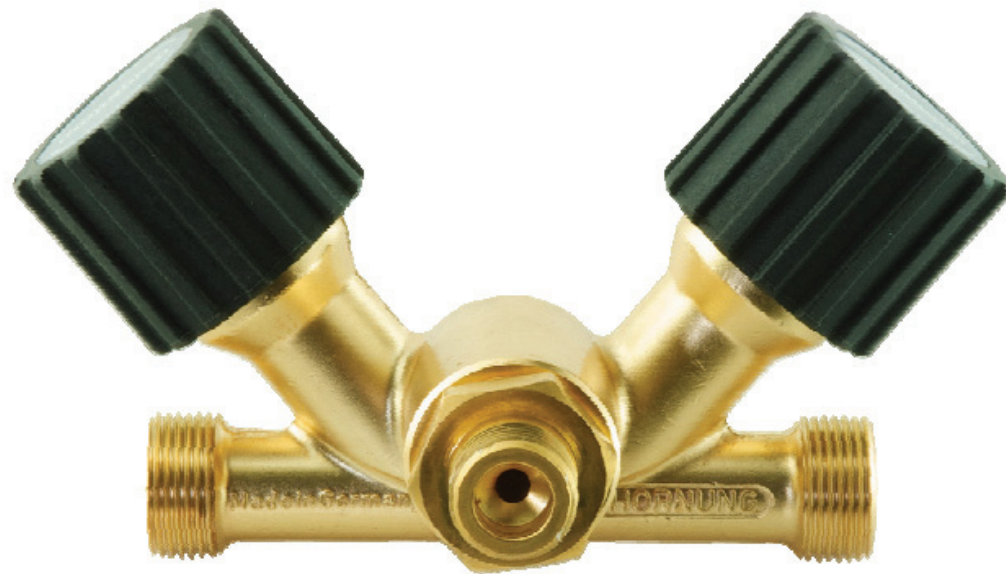


# Double shut-off valve DV 5



MODEL	GAS TYPE	INLET PRESSURE P1	NOMINAL DIAMETER	INLET CONNECTION	OUTLET CONNECTION
DV 5	F, NF, NC	max. 200 bar	Ø 5 mm	2 x G 3/4 DIN 477	W 21, 8 x 1/14 DIN 477-1
DV 5	F, NF, NC	max. 300 bar	Ø 5 mm	2 x S16 DIN 2353	W 30 x 2 DIN 477-5

With the double shut-off valve the gas supply can be manually changed from empty to full bottles without interrupting the gas supply.

Suitable for non-aggressive, flammable and non-flammable gases.

Made of brass. A bracket can be supplied for wall mounting.

## QUALITY STANDARD

The company Hornung is certified to **DIN EN ISO 9015** and **ISO 14001:2015**. All single parts are manufactured, assembled and tested by in-house production. The finished parts are therefore under all criteria of German quality control with 100% final inspection.