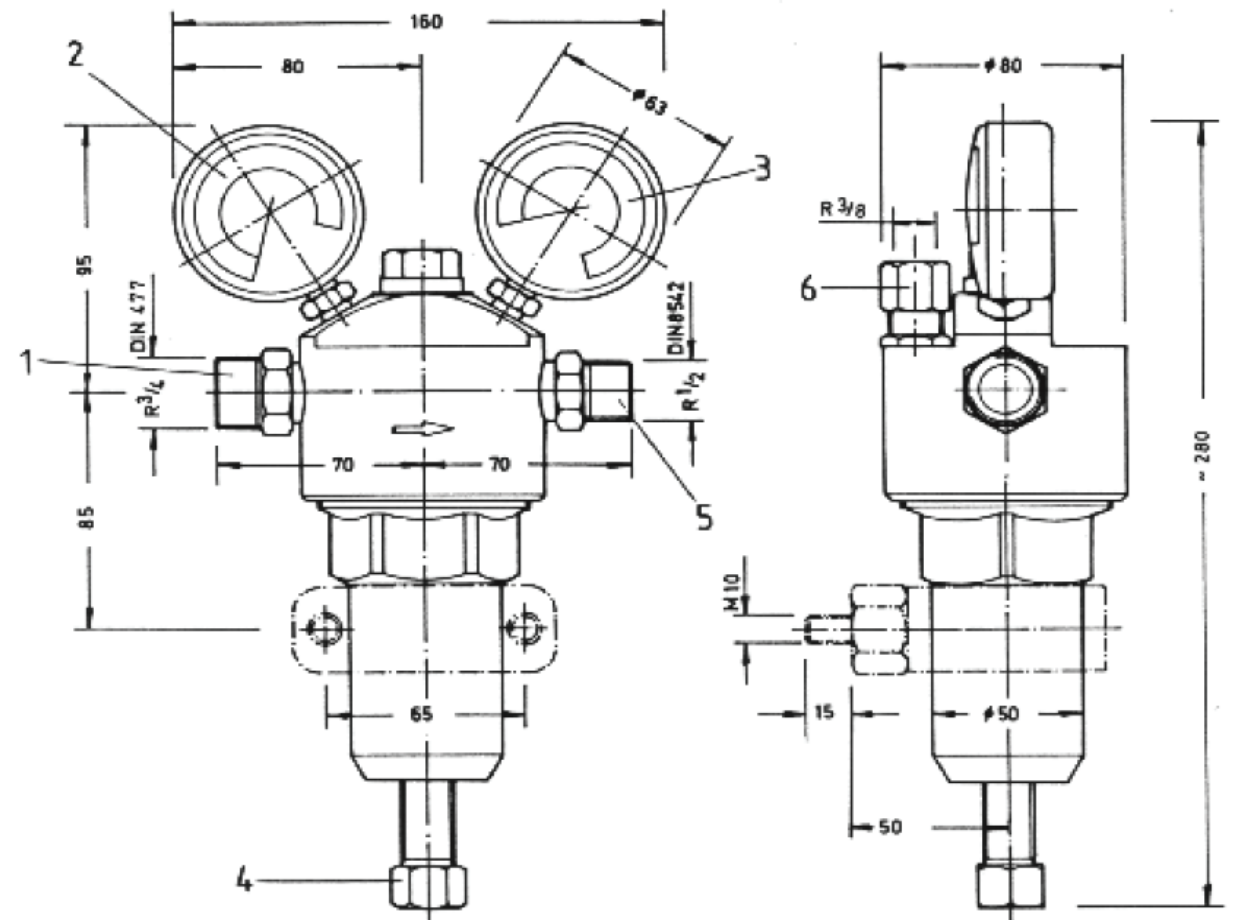
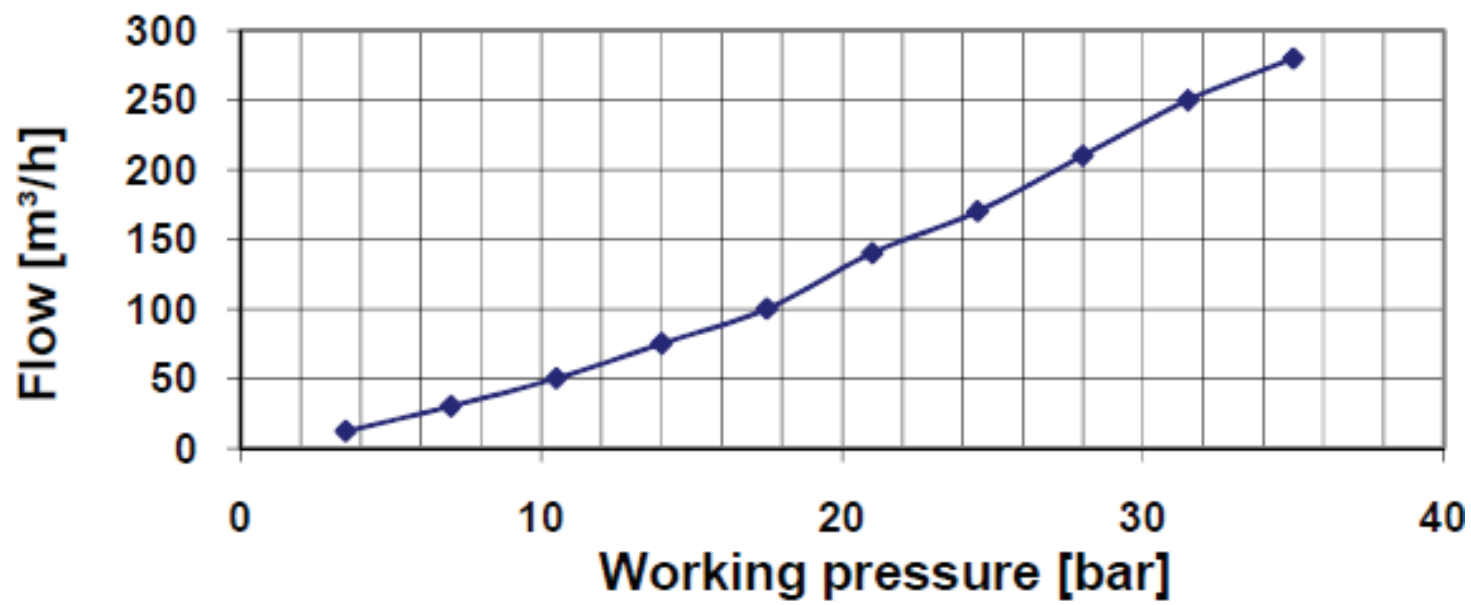


Central pressure regulator ZD 150



MODEL	GAS	INLET PRESSURE P1	OUTLET PRESSURE P2	FLOW Q1	INLET CONNECTION	OUTLET CONNECTION
ZD 150	NF, F, NC, C	max. 300 bar	max. 40 bar	280 ³ /h	W21,8 x 1/14" DIN 477	G 1/2 DIN EN 560

Flow capacity ZD 150 Flow (Q) at
inlet pressure = 2 x P2 + 1 [m³/h]



The central pressure regulator ZD 150 reduces a maximum inlet pressure from 300 bar down to max. 40 bar and keep constant. The ZD 150 is supplied in brass for non-corrosive, flammable (except acetylene) and non-flammable gases.

The ZD 150 is a single stage regulator with relief valve and certified to DIN EN 961 (ISO 7291) BAM. The regulator is available in straight or 90° configuration and can also be supplied with a wall bracket.

QUALITY STANDARD

The company Hornung is certified to **DIN EN ISO 9001** and **ISO 14001**. All single parts are manufactured, assembled and tested by in-house production. The finished parts are therefore under all criteria of German quality control with 100% final inspection.