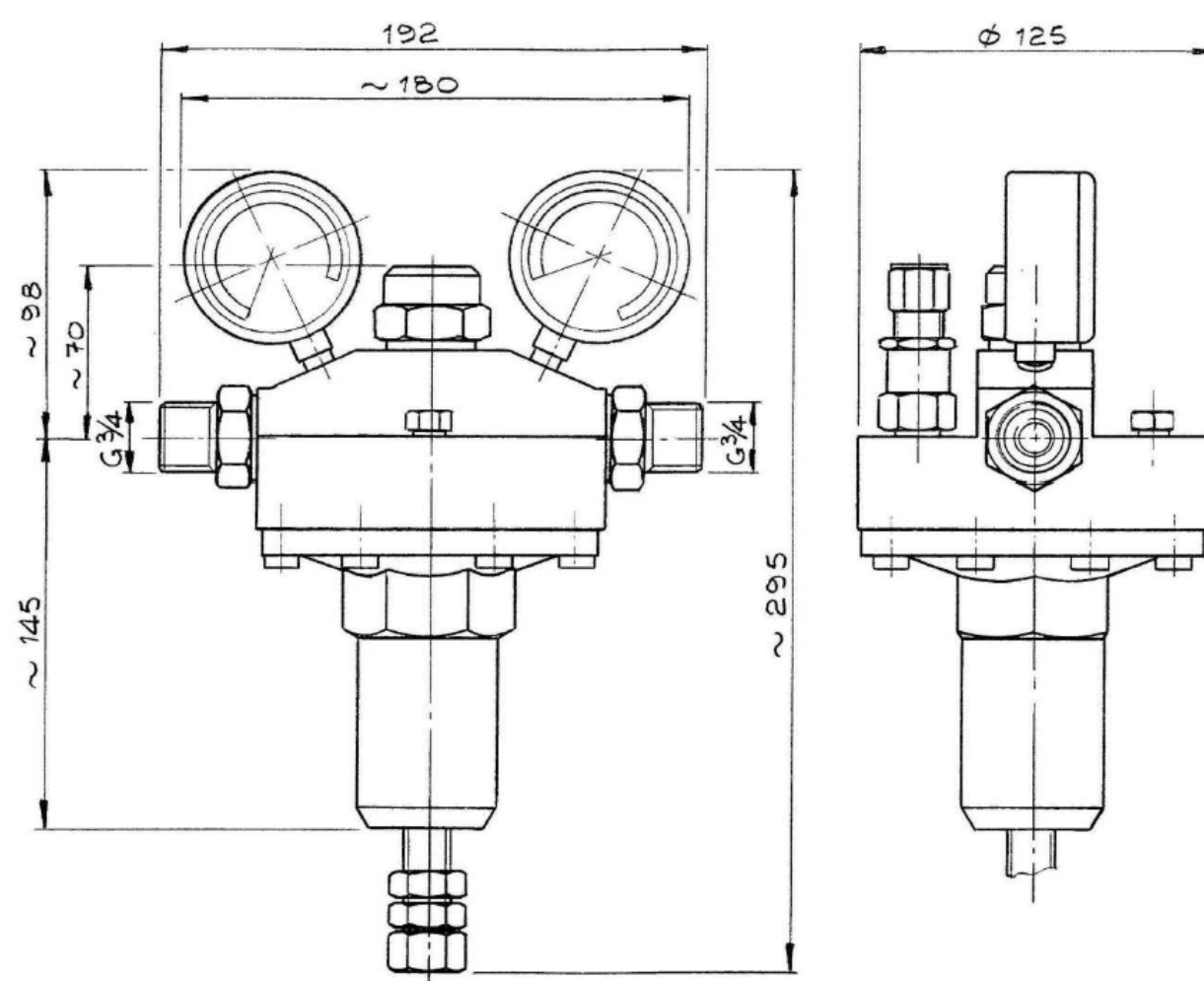
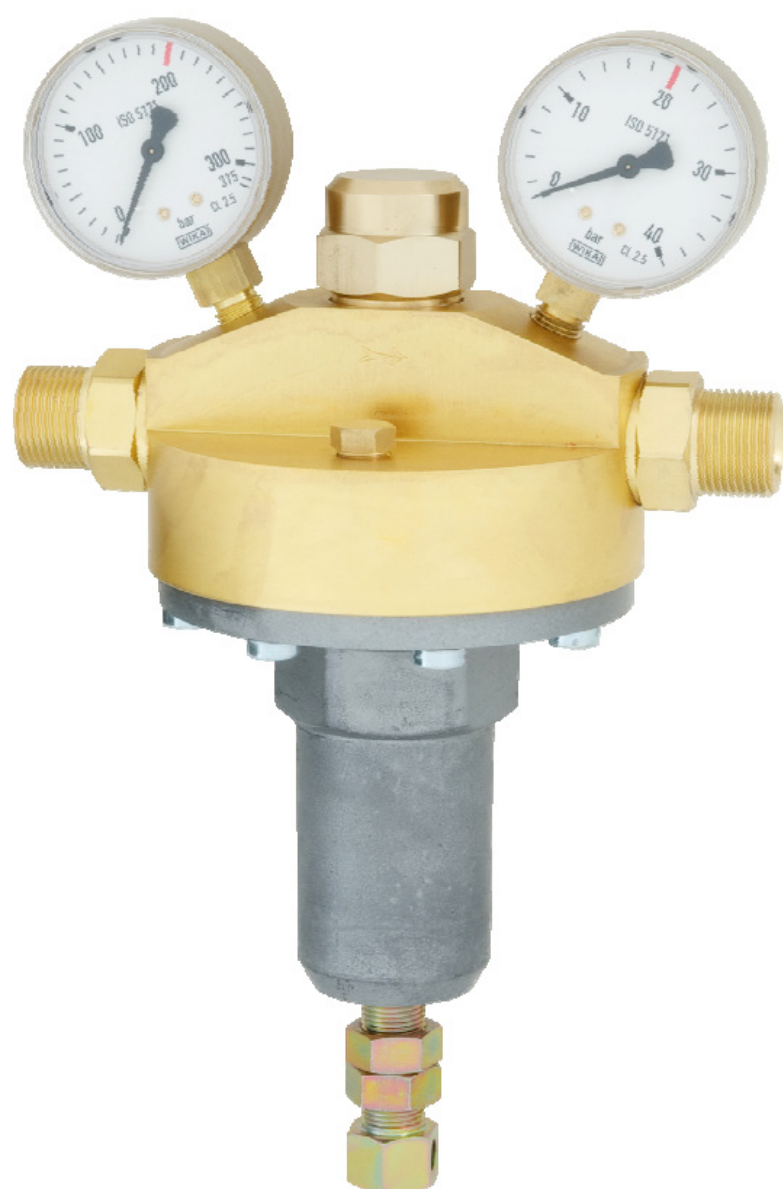
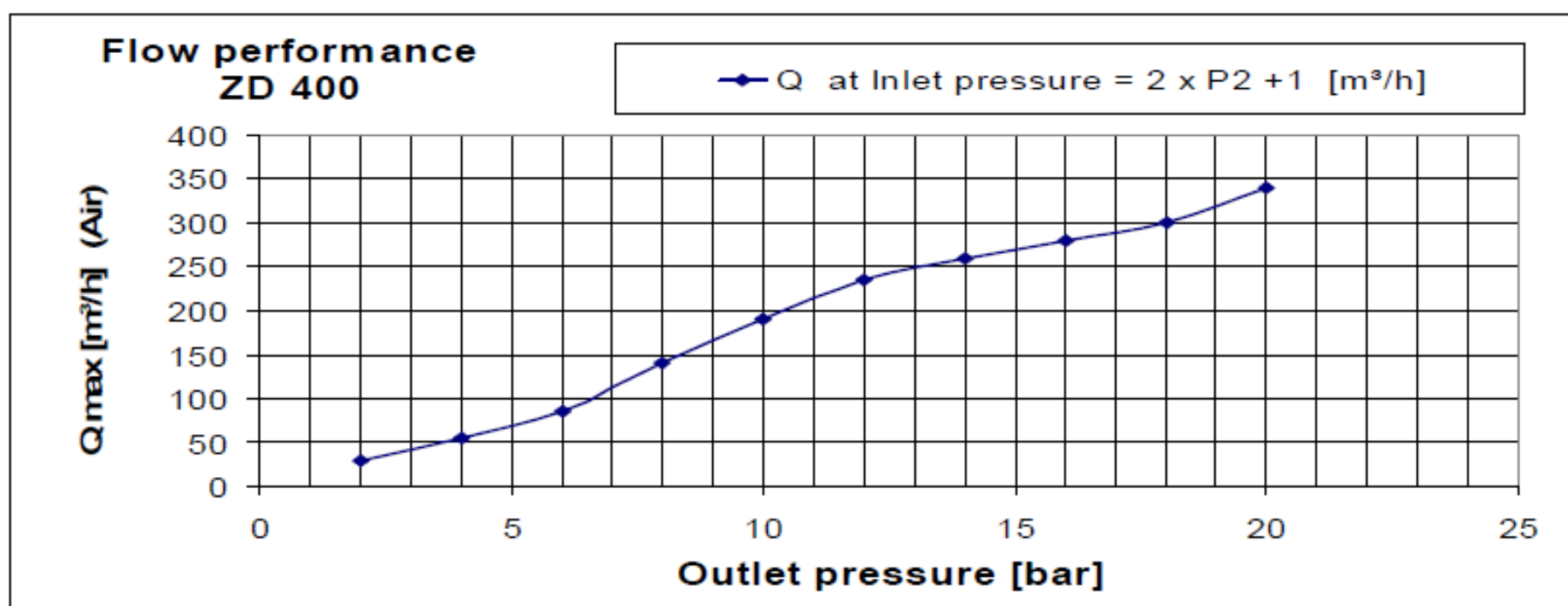


Central pressure regulator ZD 400



MODEL	GAS	INLET PRESSURE P1	OUTLET PRESSURE P2	FLOW Q1	INLET CONNECTION	OUTLET CONNECTION
ZD 400	NF, F, NC	max. 300 bar	max. 0-20 bar	340 m ³ /h	G 3/4	G1



The pressure regulator ZD 400 reduces the max. inlet pressure of 300 bar down to a max. outlet pressure of 20 bar.

The ZD 400 is a single stage diaphragm controlled regulator with a balanced poppet.

A specifically constructed poppet version assures constancy in outlet pressure. BAM certified for Oxygen.

QUALITY STANDARD

The company Hornung is certified to **DIN EN ISO 9001** and **ISO 14001:2009**. All single parts are manufactured, assembled and tested by in-house production. The finished parts are therefore under all criteria of German quality control with 100% final inspection.

HORNUNG

Präzision made in Germany

Rathenaustraße 55
63263 Neu-Isenburg

Phone: +49 6102 7883-70
Fax: +49 6102 7883-40

www.hornung.org
info@hornung.org