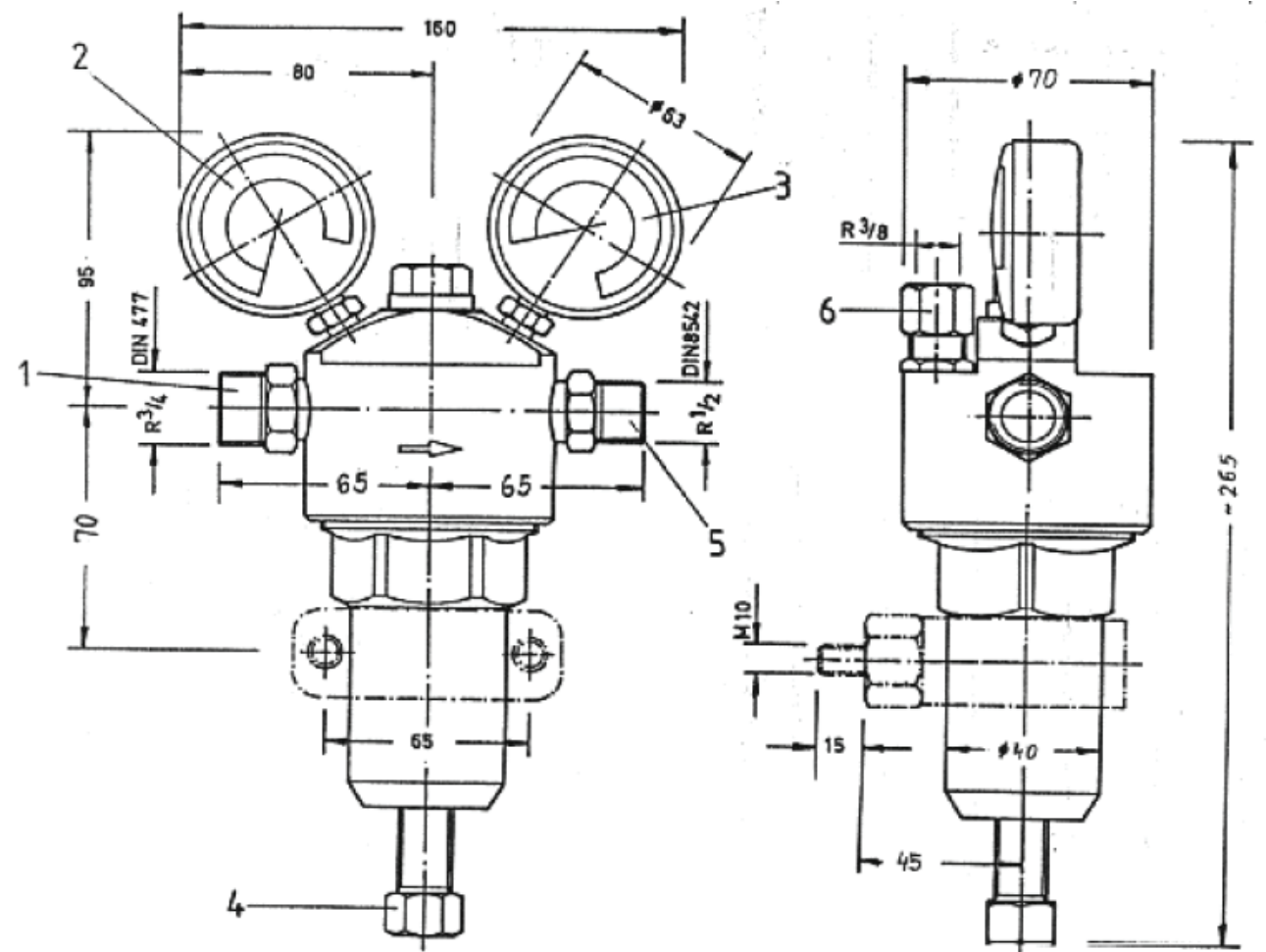
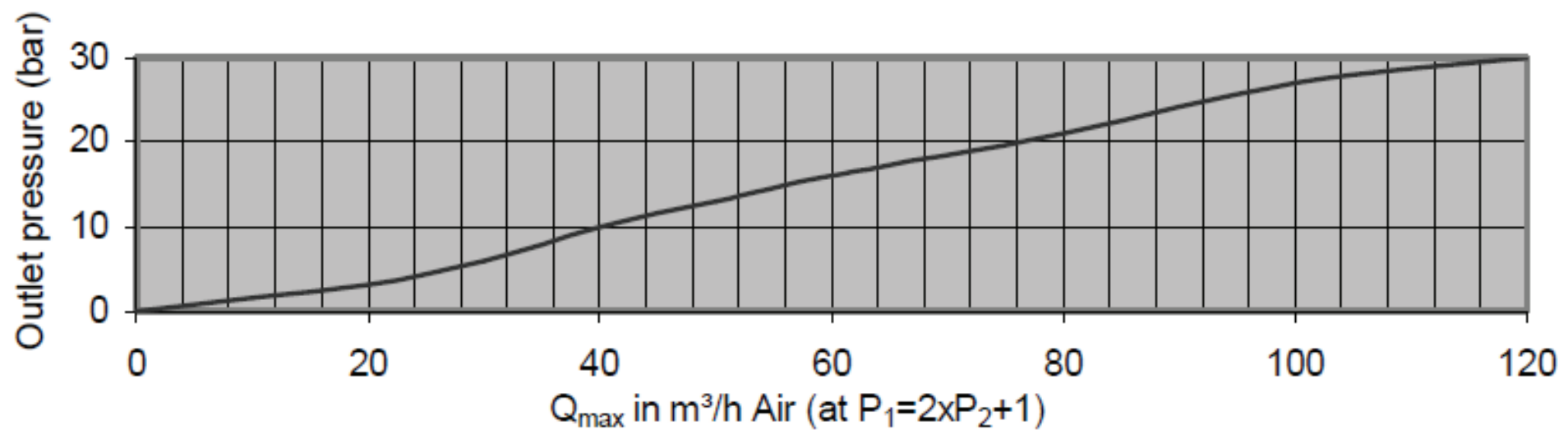


Central pressure regulator ZD 60



MODEL	GAS	INLET PRESSURE P1	OUTLET PRESSURE P2	FLOW Q1	INLET CONNECTION	OUTLET CONNECTION
ZD 60	F, NF, NC	max. 300 bar	max. 30 bar	see diagram	W21,8 x 1/14" DIN 477	G 1/2 DIN EN 560

Flow performance ZD 60



The central pressure regulator ZD 60 reduces a maximum inlet pressure from 300 bar down to max. 30 bar and keep constant. The ZD 60 is supplied in brass for non-corrosive, flammable (except acetylene) and non-flammable gases.

The ZD 60 is a single stage regulator with relief valve and certified to DIN EN 961 (ISO 7291) BAM. The regulator is available in straight or 90° configuration and can also be supplied with a wall bracket.

QUALITY STANDARD

The company Hornung is certified to **DIN EN ISO 9001** and **ISO 14001**. All single parts are manufactured, assembled and tested by in-house production. The finished parts are therefore under all criteria of German quality control with 100% final inspection.

HORNUNG

Präzision made in Germany

Rathenaustraße 55
63263 Neu-Isenburg

Phone: +49 6102 7883-70
Fax: +49 6102 7883-40

www.hornung.org
info@hornung.org